



Bonfiglioli Mobile

Solutions for the
construction industry





Solutions for the **Construction Industry**



Bonfiglioli, with the broad and diversified Bonfiglioli Trasmital product range, can fully meet the specifications of building industry machinery, and namely:

- Tower cranes
- Concrete mixers
- Transit mixers and dumpers
- Concrete pumps

Each of these machines has its own special structural and duty characteristics, which Bonfiglioli is well aware of, thanks to over 30 years of experience in the industry, working in close partnership with the leading manufacturers of building industry machinery.

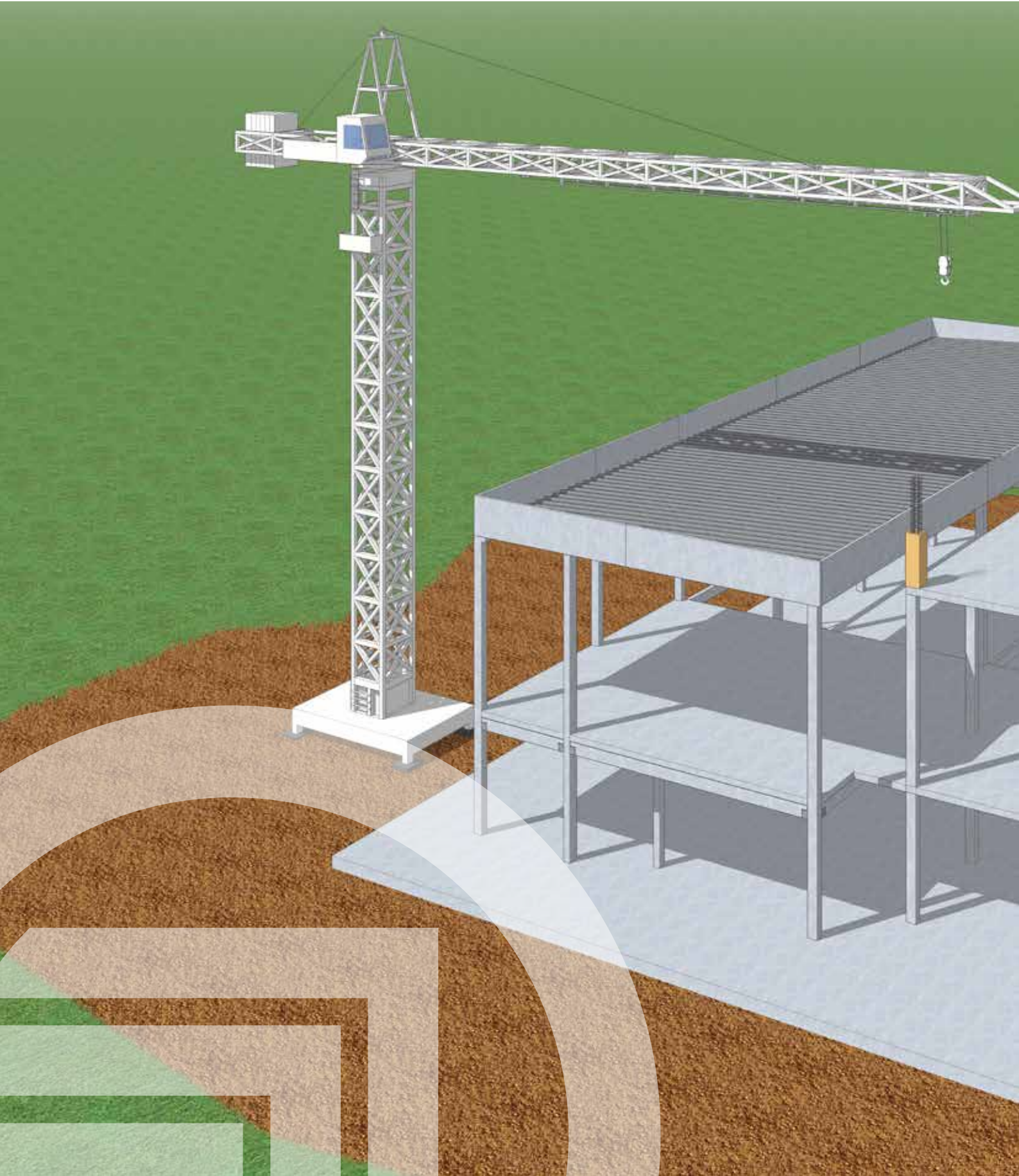
Bonfiglioli is thus able to offer a range of products perfectly tailored to meet a broad variety of drive specifications: from swing drives for tower cranes and concrete pumps to winch drives for hoisting duty and trolley drives, to stationary concrete mixers up to the 500 series and the renowned drum drives for transit mixer duty.

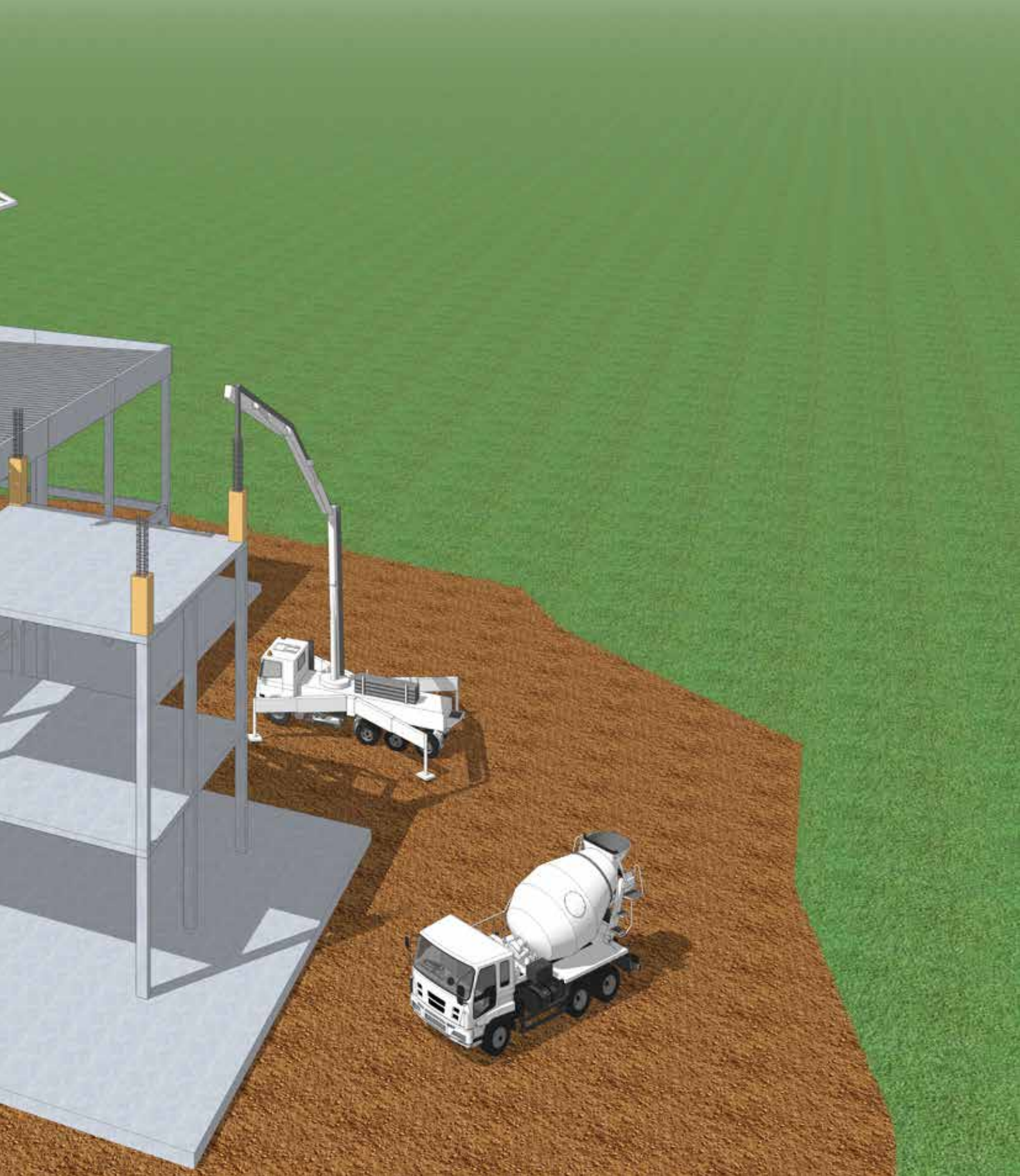
A vast range of customised solutions and extensive expertise in the industry make Bonfiglioli the ideal partner for all manufacturers of building industry machinery.



Bonfiglioli Construction

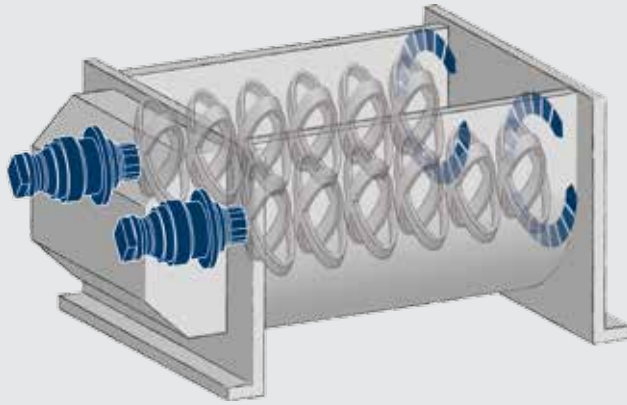
Drives for building industry machines





Shaft drive for concrete mixers

from 0.75 to 9 m³.



300 Planetary drives

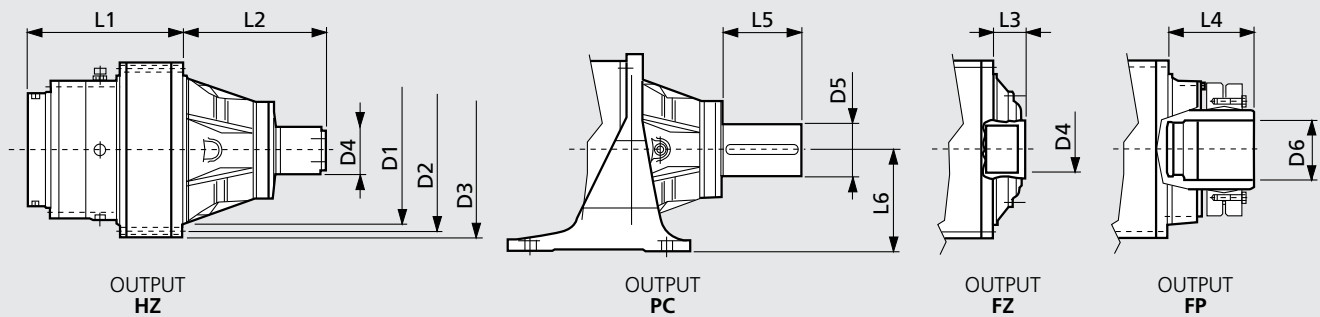
The powerful solution to all heavy duty drive problems.

The 300 series are compact and powerful. Their planetary drive train makes them the ideal choice for all the severe duty applications where shock loads and impacts are more the rule than the exception. The product configuration is highly versatile, due to several options as far as the mounting, the gear layout, the output shaft and the motor interface. All the features are available for each of the 20 finely spaced frame sizes, spanning over the 1000-1400000 Nm torque range. Finding the perfect match to any drive problem is therefore more than a wish, it is something users can safely rely on - always.

Type	Torque (Nm)
307	12500
309	18000
310	25000
311	40000
313	55000
315	100000

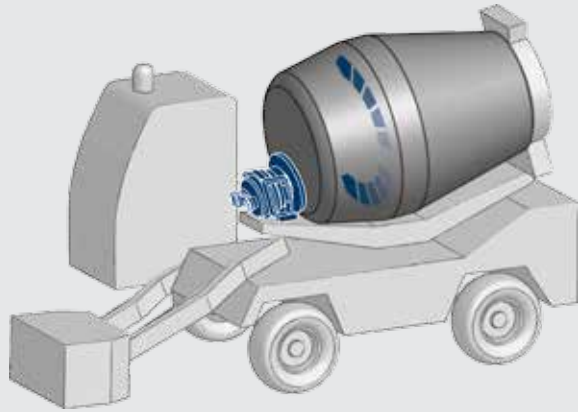


TYPE	MIXER CAPACITY	RATIOS	ELECTRIC MOTOR POWER
	m ³	1:	kW
2 x 307 R	0.5 ... 1	23	22 x 2
2 x 309 R	1 ... 2.2	27	30 x 2
2 x 310 R	2.2 ... 3	27	37 x 2
2 x 311 R	3 ... 4.5	27	55 x 2
2 x 313 R	4.5 ... 6	26	75 x 2
2 x 315 R	6 ... 9	63	110 x 2



TYPE	D1	D2	D3	D4	D5	D6	L1 (2 stages)	L2	L3	L4	L5	L6
307	230	295	325	80x74 DIN 5482	90	100	300	162	36	120	170	200
309	278	314	348	80x74 DIN 5482	100	120	215	231	82	245	165	225
310	340	370	400	100x94 DIN 5482	110	130	245	290	95	290	210	250
311	358	390	428	100x94 DIN 5482	120	135	250	320	88	190	210	280
313	385	415	445	120x3 DIN 5480	140	145	310	357	81	235	200	280
315	460	503	542	150x5 DIN 5480	160	180	390	429	98	260	240	315

Drum drive for concrete mixers dumper from 0.5 to 5 m³.



500

Transit mixer drives

When you cannot afford any down time, then quality is the top priority.

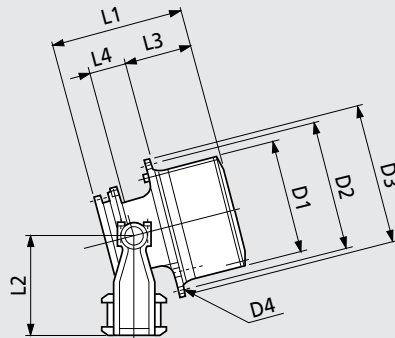
Absolute dependability, low maintenance, compactness and price effectiveness are the key features of the renovated 500 series, the unparalleled line of drives for transit mixers.

Eight models available for mixing capacity ranging from 1 to 12 m³.

Type	Torque (Nm)
501	3000
564	12000
565	12000
567	20000
568	20000



TYPE	DRUM CAPACITY	OUTPUT TORQUE	RATIOS	MOTOR TYPE
	m ³	Nm	1:	
501	0.5 ... 1	3000	17 ... 29	low speed
564	2 ... 3	12000	78 ... 161	high speed
565	2 ... 3	12000	22	low speed
567	4 ... 5	20000	76 ... 128	high speed
568	4 ... 5	20000	18 ... 27	low speed



TYPE	D1	D2	D3	D4	L1	L2	L3	L4
501	200	222	245	13 n°4	270	195	138	89
564	280	310	340	17 n°10	365	240	165	85
565	280	310	340	17 n°10	290	240	165	85
567	358	390	430	17 n°18	435	300	210	110
568	358	390	430	17 n°18	360	300	210	110

Drum drive for concrete truck mixers

from 6 to 14 m³.



500

Transit mixer drives

When you cannot afford any down time, then quality is the top priority.

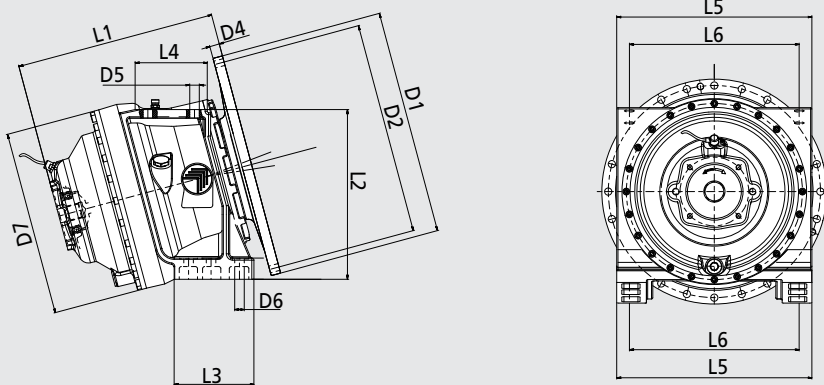
Absolute dependability, low maintenance, compactness and price effectiveness are the key features of the renovated 500 series, the unparalleled line of drives for transit mixers.

Eight models available for mixing capacity ranging from 1 to 18 m³.

Type	Torque (Nm)
575	50000
577	60000
580	75000

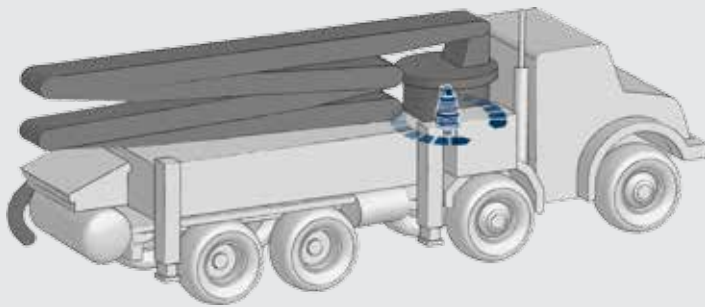


TYPE	DRUM CAPACITY	OUTPUT TORQUE	RATIOS	MOTOR TYPE
	m ³	Nm	1:	
575	6 ... 8	50000	99 - 102 - 141	high speed
577	8 ... 10	60000	131	high speed
580	10 ... 14	75000	130 - 135	high speed



TYPE	D1	D2	D3	D4	D5	D6	D7	L1	L2	L3	L4	L5	L6
575	530	500	–	17 n°24	22 n°4	22 n°6	435	450	400	188	170	460	400
577	530	500	–	17 n°24	22 n°4	22 n°6	435	450	400	188	170	460	400
580	530	500	–	17 n°24	22 n°4	22 n°6	435	525	400	188	170	460	400

Slew drive for truck mounted concrete pumps.



700T Slew drives

Innovative solutions for slew drives.

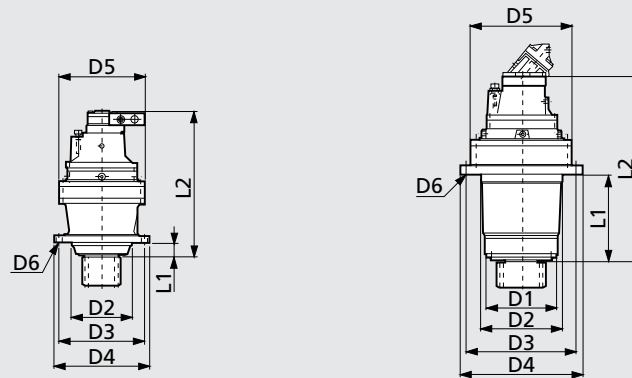
The slew drives of the 700T series provide the safest and most effective solution to all slew drive applications.

The 700T units have long been established in the cranes, excavators and special equipment industries, and today are highly appreciated by all the major manufacturers.

Type	Torque (Nm)
703 T2	3500
705 T2	6500
706 T2	10000
710 T2	30000
711 T2	35000

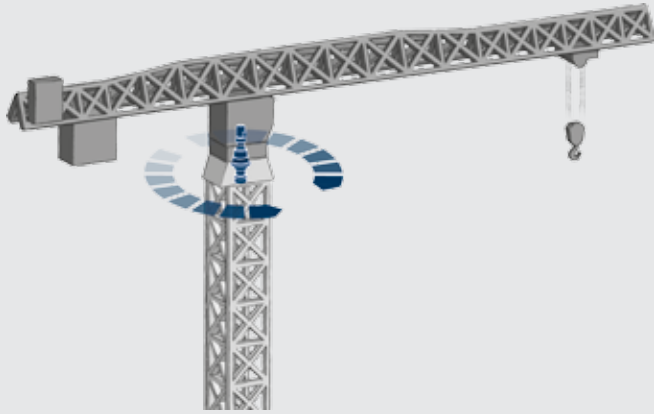


TYPE	MAX. VERTICAL REACH	MAX. HORIZONTAL DISTANCE	OUTPUT TORQUE	RATIOS	MOTOR TYPE
	m	m	Nm	1:	
703 T2 F	20 ... 24	16 ... 20	3000	20 ... 38	low speed
705 T2 F	24 ... 30	20 ... 24	5000	20 ... 38	low speed
1x706 T2 N	30 ... 36	24 ... 32	10000	28 ... 46	low speed
2x706 T2 N	36 ... 50	32 ... 48	10000	28 ... 46	low speed
710 T2 N	36 ... 50	32 ... 48	18000	100 ... 150	low speed
711 T2 C	50 ... 65	48 ... 60	30000	100 ... 150	low speed



TYPE	D1	D2	D3	D4	L1	L2	L3	L4
703 T2 F	-	175	245	272	245	18	41	410
705 T2 F	-	175	245	272	245	18	41	440
706 T2 N	200	250	325	360	292	17	225	560
710 T2 N	300	425	460	500	400	22	360	730
711 T2 C	300	425	460	500	428	22	345	735

Slew drive for building crane.



700T Slew drives

Innovative solutions for slew drives.

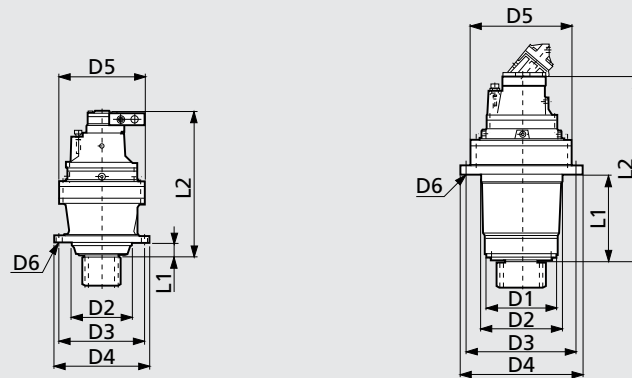
The slew drives of the 700T series provide the safest and most effective solution to all slew drive applications.

The 700T units have long been established in the cranes, excavators and special equipment industries, and today are highly appreciated by all the major manufacturers.

Type	Torque (Nm)
700 T1	1200
701 T1	2400
703 T2	3500
705 T2	6500
706 T2	10000
707 T2	15000
709 T2	20000

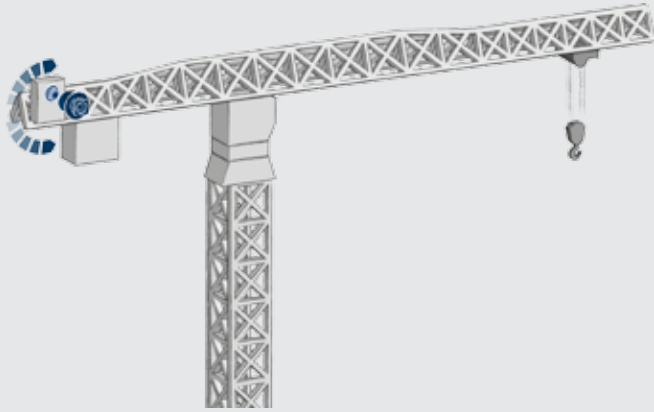


TYPE	MAX. JIB RADIUS	MAX. LOAD	OUTPUT TORQUE	RATIOS	MOTOR TYPE
	m	ton	Nm	1:	
700 T1 F	15 ... 22	1.4 ... 1.8	1200	100 ... 150	electric motor
701 T1 F	22 ... 28	1.8 ... 2.2	2400	100 ... 150	electric motor
703 T2 F	28 ... 35	2.2 ... 2.8	3500	140 ... 200	electric motor
705 T2 F	35 ... 45	2.8 ... 3.5	6500	140 ... 200	electric motor
705 T2 L	35 ... 45	2.8 ... 3.5	6500	140 ... 200	electric motor
706 T2 N	45 ... 55	3.5 ... 5.0	10000	140 ... 210	electric motor
707 T2 N	55 ... 65	5.0 ... 7.0	15000	140 ... 210	electric motor
709 T2 N	65 ... 75	7.0 ... 10	20000	160 ... 200	electric motor



TYPE	D1	D2	D3	D4	D5	D6	L1	L2
700 T1 F	-	150	195	220	186	12.5	31	300
701 T1 F	-	150	195	220	186	12.5	31	325
703 T2 F	-	175	245	272	245	18	41	410
705 T2 F	-	175	245	272	245	18	41	440
705 T2 L	180	195	245	290	245	13	171	470
706 T2 N	200	250	325	360	292	17	225	560
707 T2 N	230	280	314	348	345	17	295	670
709 T2 N	250	280	380	420	345	17	295	720

Winch drive for building crane.



700C

Travel drives

Leadership is never achieved without continuing efforts and consistent product development.

Any crawler machine, no matter how big or small, will find the suitable travel drive within the range of the 700C series.

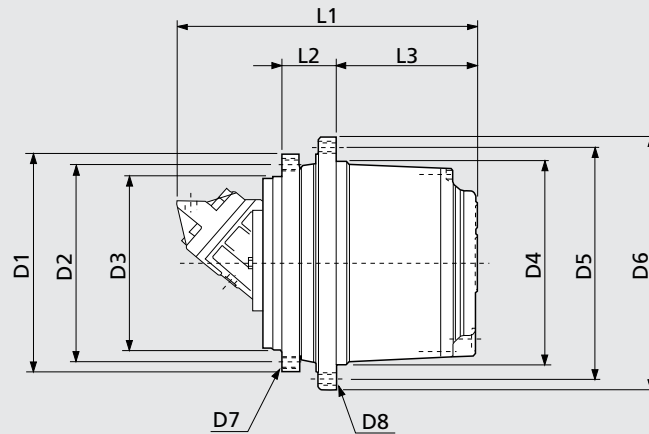
All units available with a failsafe parking brake and for most cartridge type fixed or variable displacement hydraulic motors.

Type	Torque (Nm)
703 C2 H	4000
705 C2 H	10000
706 C3 B	18000
707 C3 B	26000
709 C3 B	30000



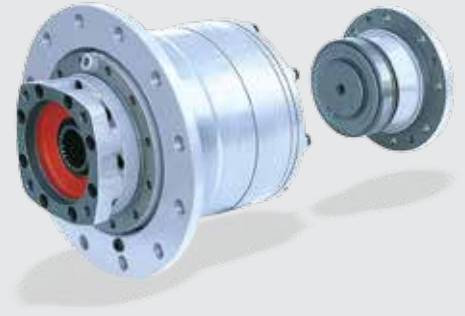
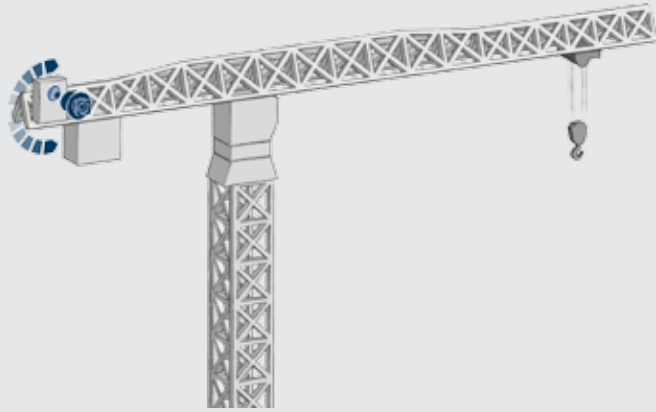
TYPE	MAX. ROPE PULL	OUTPUT TORQUE	RATIOS
	ton	Nm	1:
703 C2 H	1.4 ... 2	2500	19 ... 40
705 C2 H	2 ... 4	5000	22 ... 53
706 C3 B	4 ... 6	10000	68 ... 128
707 C3 B	6 ... 8	15000	55 ... 120
709 C3 B	8 ... 10	22000	55 ... 147

Note: according FEM classification: T4-L2-M4; output speed: 25 rpm



TYPE	D1	D2	D3	D4	D5	D6	D7	D8	L1	L2	L3
703 C2 H	270	230	190	200	240	280	M16x2 n°8	M20x1.5 n°8	Depend on motor type	72	128
705 C2 H	270	230	190	220	260	300	M16x2 n°12	M16x2 n°16		72	158
706 C3 B	330	300	270	280	330	370	M16x2 n°18	M16x2 n°18		115	190
707 C3 B	317	285	240	300	340	370	M20x2.5 n°20	M16x2 n°20		82	233
709 C3 B	375	340	300	330	370	400	M20x2.5 n°16	M16x2 n°30		91	243

Winch drive for building crane.



800

Winch drives

Gear units for winch application.

The units of the 800 series are specifically designed for winch applications, and can be easily accommodated within the drum itself.

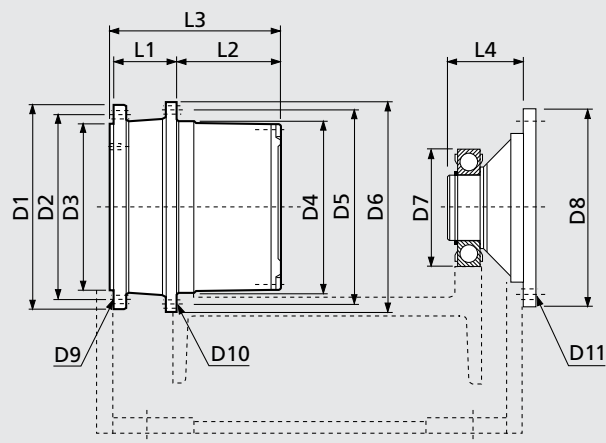
Available in various gear ratios, units feature heavy duty bearings and an optional failsafe parking or emergency multidisc brake.

Type	Torque (Nm)	
805 W2	5000	
806 W2		10000
810 F2		17500



TYPE	MAX. ROPE PULL	OUTPUT TORQUE	RATIOS
	ton	Nm	1:
805 W2	2.0 ... 4.0	5000	22 ... 53
806 W2	4.0 ... 5.5	10000	30 ... 44
810 F2	6.0 ... 8.0	17500	21 ... 46

Note: according FEM classification: T4-L2-M4; output speed: 25 rpm



Type	D1	D2	D3	D4	D5	D6	D7	D8	D9	D10	D11	L1	L2	L3	L4
805 W2	265	240	215	225	250	270	140	210	M12x1.75 n°16	ø13 n°16	ø13 n°8	75	158	250	95
806 W2	330	300	270	280	315	340	140	210	M16x2 n°12	ø17 n°12	ø13 n°8	100	165	280	95
810 F2	270	240	215	350	375	410	190	320	M16x2 n°18	ø13 n°24	ø19 n°12	25	310	360	110

Our quality



Sharing the value of our work with you.

The development of effective, tailored solutions for a wide range of applications is a fundamental aspect of our work.

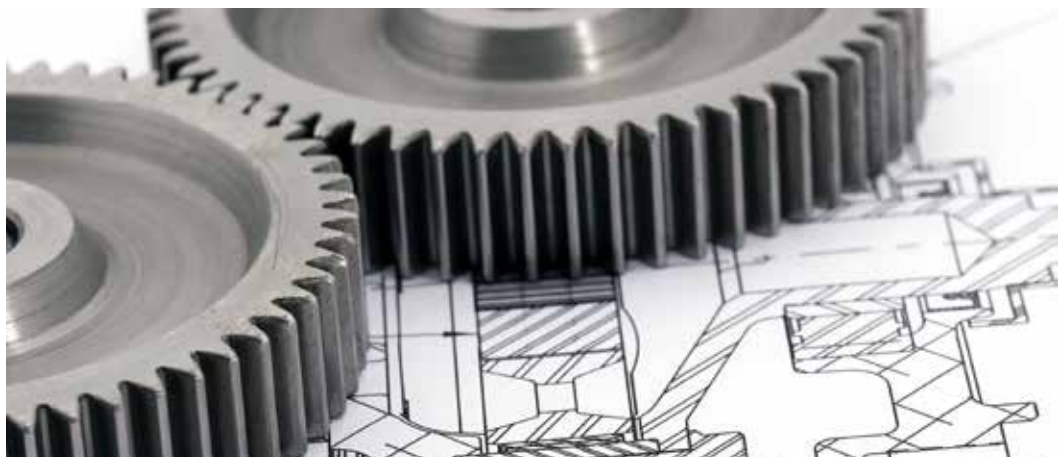
We succeed in this because we co-operate closely with our customers, listen to their requests and work with them to improve our own performance.

Bonfiglioli is determined to deliver the best service possible – before, during and after the sale of any of our products – by applying all our know-how, experience, technology, and advanced communication tools. Bonfiglioli works to the strictest standards of quality and safety, as certified by seven different internationally recognised institutes.

We believe in innovation, and back up this belief by dedicating 100 of our people and 5 activity centres to research and development, and by working hand in hand with some of the world's most prestigious universities.

Our work increasingly brings us into contact with other nations and cultures, for which we have the greatest respect and with whom we share a vision of sustainable development based on renewable energy.

This bond of commitment allows us to be an authoritative and reliable global partner for the present and the future.



Bonfiglioli Worldwide



Headquarters

ITALY • Lippo di Calderara, Bologna



Branches

AUSTRALIA • Sydney
BRAZIL • São Paulo
CANADA • Toronto
CHINA • Shanghai
FRANCE • Paris
GERMANY • Neuss
GERMANY • Krefeld
INDIA • Chennai, Tamil Nadu
INDIA • Mannur, Tamil Nadu
INDIA • Bangalore, Karnataka
ITALY • Milano
ITALY • Rovereto
NEW ZEALAND • Auckland
SOUTH AFRICA • Johannesburg
SINGAPORE • Singapore
SPAIN • Barcelona
TURKEY • Izmir
UNITED KINGDOM • Redditch
UNITED KINGDOM • Warrington
USA • Hebron, Kentucky
VIETNAM • Ho Chi Minh



Production facilities

ITALY • Calderara di Reno, Bologna
 Casting and gearcutting plant
 Assembly HDP, HDO, 300 series
ITALY • Vignola, Modena
 Gearmotor assembly plant
 Precision gearbox manufacturing and assembly plant
ITALY • Forlì
 Planetary gearboxes manufacturing and assembly plant
ITALY • Rovereto, Trento
 Brushless motor and precision gearboxes production
GERMANY • Krefeld
 Inverter plant
 Photovoltaic Inverter assembly
GERMANY • Hattingen
 Large planetary gearboxes manufacturing and assembly plant
SLOVAKIA • Považská Bystrica
 Large gearboxes manufacturing plant
INDIA • Chennai, Tamil Nadu
 Planetary gearbox manufacturing and assembly plant
INDIA • Mannur, Tamil Nadu
 Gearmotors manufacturing and assembly plant
INDIA • Bangalore, Karnataka
 Photovoltaic Inverter assembly
VIETNAM • Ho Chi Minh
 Electric motor plant
CHINA • Shanghai
 Photovoltaic Inverter assembly
BRAZIL • São Paulo
 Planetary gearboxes manufacturing and assembly plant
USA • Hebron, Kentucky
 Planetary gearboxes manufacturing and assembly plant

Resellers

AFRICA • Algeria, Egypt, Kenya, Morocco, South Africa, Tunisia
ASIA • Bahrain, China, Emirates, Japan, Jordan, Hong Kong, India, Indonesia, Iran, Israel, Kuwait, Malaysia, Oman, Pakistan, Philippine, Qatar, Saudi Arabia, Singapore, South Korea, Syria, Thailand, Taiwan, Vietnam
EUROPE • Albania, Austria, Belgium, Bielorusia, Bulgaria, Cyprus, Croatia, Czech Republic, Denmark, Estonia, Finland, France, Holland, Hungary, Germany, Great Britain, Greece, Ireland, Italy, Lettonia, Lithuania, Luxemburg, Malta, Montenegro, Norway, Poland, Portugal, Romania, Russia, Slovakian Republic, Serbia, Slovenia, Spain, Sweden, Switzerland, Turkey, Ucraina
LATIN AMERICA • Argentina, Bolivia, Brasil, Chile, Colombia, Costa Rica, Ecuador, Guatemala, Honduras, Mexico, Peru, Uruguay, Venezuela
NORTH AMERICA • Canada, United States
OCEANIA • Australia, New Zealand

Bonfiglioli Worldwide Locations

Bonfiglioli Australia

2, Cox Place Glendenning NSW 2761
Locked Bag 1000 Plumpton NSW 2761
Tel. (+ 61) 2 8811 8000 - Fax (+ 61) 2 9675 6605
www.bonfiglioli.com.au

Bonfiglioli Brasil

Travessa Cláudio Armando 171
Bloco 3 - CEP 09861-730 - Bairro Assunção
São Bernardo do Campo - São Paulo
Tel. (+55) 11 4344 2323 - Fax (+55) 11 4344 2322
www.bonfigliolidobrasil.com.br

Bonfiglioli Canada

2-7941 Jane Street - Concord, Ontario L4K 4L6
Tel. (+1) 905 7384466 - Fax (+1) 905 7389833
www.bonfigliolicanada.com

Bonfiglioli China

Bonfiglioli Drives (Shanghai) Co., Ltd.
#68, Hui-Lian Road, QingPu District,
Shanghai, China, 201707
Ph. (+86) 21 6700 2000 - Fax (+86) 21 6700 2100
www.bonfiglioli.cn

Bonfiglioli Deutschland

Industrial, Mobile, Wind
Sperberweg 12 - 41468 Neuss
Tel. +49 (0) 2131 2988 0 - Fax +49 (0) 2131 2988 100
www.bonfiglioli.de

Industrial, Photovoltaic

Europark Fichtenhain B6 - 47807 Krefeld
Tel. +49 (0) 2151 8396 0 - Fax +49 (0) 2151 8396 999
www.bonfiglioli.de

O&K Antriebstechnik

Ruhrallee 8-12 - 45525 Hattingen
Tel. +49 (0) 2324 2050 1 - Fax +49 (0) 2324 2054 29
www.oundka.com

Bonfiglioli España

Industrial, Mobile, Wind
Tecnotrans Bonfiglioli S.A.
Pol. Ind. Zona Franca sector C, calle F, nº6
08040 Barcelona
Tel. (+34) 93 4478400 - Fax (+34) 93 3360402
www.tecnotrans.bonfiglioli.com

Bonfiglioli France

14 Rue Eugène Pottier
Zone Industrielle de Moimont II - 95670 Marly la Ville
Tel. (+33) 1 34474510 - Fax (+33) 1 34688800
www.bonfiglioli.fr

Bonfiglioli India

Industrial
Bonfiglioli Transmission PVT Ltd.
Survey No. 528, Perambakkam High Road
Mannur Village, Sriperambudur Taluk,
Chennai - 602105, Tamil Nadu
Tel. +91(0) 44 6710 3800 - Fax +91(0) 44 6710 3999
www.bonfiglioli.in

Mobile, Wind

Bonfiglioli Transmission PVT Ltd.
PLOT AC7-AC11 Sidco Industrial Estate
Thirumudivakkam - Chennai 600 044
Tel. +91(0) 44 24781035 - 24781036 - 24781037
Fax +91(0) 44 24780091 - 24781904
www.bonfiglioli.in

Photovoltaic

Bonfiglioli Renewable Power Conversion India (P) Ltd
No. 543, 14th Cross, 4th Phase,
Peenya Industrial Area, Bangalore - 560 058
Tel. +91 80 2836 1014/15 - Fax +91 80 2836 1016
www.bonfiglioli.in

Bonfiglioli Italia

Headquarters

Bonfiglioli Riduttori S.p.A.
Via Giovanni XXIII, 7/A
40012 Lippo di Calderara di Reno - Bologna (Italy)
Tel. +39 051 647 3111 - Fax +39 051 647 3126
www.bonfiglioli.it

Mobile, Wind

Via Enrico Mattei, 12 Z.I. Villa Selva
Forlì, 47100 Italy
Tel. +39 0543 789111 - Fax +39 0543789242
www.bonfiglioli.it

Industrial

Via Bazzane, 33/A
Calderara di Reno (BO), 40012 Italy
Tel. +39 051 6473111 - Fax +39 051 6473330
www.bonfiglioli.it

Industrial

Via Trinità, 1 - Vignola (MO), 41058 Italy
Tel. +39 059 768511 - Fax +39 059 768522
www.bonfiglioli.it

Industrial, Photovoltaic

Via Sandro Pertini lotto 7b - 20080 Carpiano (Milano)
Tel. (+39) 02 985081 - Fax (+39) 02 985085817
www.bonfiglioli.it

Bonfiglioli Mechatronic Research

Via F. Zeni 8 - 38068 Rovereto (Trento)
Tel. (+39) 0464 443435/36 - Fax (+39) 0464 443439
www.bonfiglioli.it

Bonfiglioli New Zealand

88 Hastie Avenue, Mangere Bridge, Auckland
2022, New Zealand - PO Box 11795, Ellerslie
Tel. (+64) 09 634 6441 - Fax (+64) 09 634 6445
www.bonfiglioli.co.nz

Bonfiglioli South East Asia

24 Pioneer Crescent #02-08
West Park Bizcentral - Singapore, 628557
Tel. (+65) 6268 9869 - Fax. (+65) 6268 9179
www.bonfiglioli.com

Bonfiglioli South Africa

55 Galaxy Avenue,
Linbro Business Park - Sandton
Tel. (+27) 11 608 2030 OR - Fax (+27) 11 608 2631
www.bonfiglioli.co.za

Bonfiglioli Türkiye

Atatürk Organize Sanayi Bölgesi,
10007 Sk. No. 30 Atatürk Organize Sanayi Bölgesi,
35620 Çiğli - Izmir
Tel. +90 (0) 232 328 22 77 (pbx)
Fax +90 (0) 232 328 04 14
www.bonfiglioli.com.tr

Bonfiglioli United Kingdom

Industrial

Unit 7, Colemeadow Road
North Moons Moat - Redditch,
Worcestershire B98 9PB
Tel. (+44) 1527 65022 - Fax (+44) 1527 61995
www.bonfiglioli.co.uk

Mobile, Wind

3 - 7 Grosvenor Grange, Woolston
Warrington - Cheshire WA1 4SF
Tel. (+44) 1925 852667 - Fax (+44) 1925 852668
www.bonfiglioli.co.uk

Bonfiglioli USA

3541 Hargrave Drive Hebron, Kentucky 41048
Tel. (+1) 859 334 3333 - Fax (+1) 859 334 8888
www.bonfiglioliusa.com

Bonfiglioli Vietnam

Lot C-9D-CN My Phuoc Industrial Park 3
Ben Cat - Binh Duong Province
Tel. (+84) 650 3577411 - Fax (+84) 650 3577422
www.bonfiglioli.vn



Bonfiglioli has been designing and developing innovative and reliable power transmission and control solutions for industry, mobile machinery and renewable energy applications since 1956.

HEADQUARTERS

Bonfiglioli Riduttori S.p.A.
Via Giovanni XXIII, 7/A
40012 Lippo di Calderara di Reno
Bologna (Italy)

tel: +39 051 647 3111
fax: +39 051 647 3126
bonfiglioli@bonfiglioli.com
www.bonfiglioli.com

TR_CAT_BIMA_STD_ENG_R01_1

