



600W2/3 series Wheel drives

Gear shift final drive LO-HI Speed.

This gear shift final drive is specifically designed for wheeled and tracked machines featuring a significantly different travel/operating speed ratio.

The product is the ideal solution for road paving machines, construction equipment, as well as agricultural and forestry machines.



Type	Torque [Nm]	
606W2/3	15000	
610W2/3		40000
611W2/3		50000



Torque Range

15000 ... 50000 Nm

Gear Ratios

LO speed: 71 87 85 104 141,3

HI speed: 20.5 20.5 24.5 24.5 24.5

Key Features

Dual gear ratio, hydraulic Lo-Hi speed shifting

Rotating housing

Rugged design

High torque capacity

High load capacity

Mechanical lifetime seals

Compact design

Hydraulically operated multidisc clutches, allowing both speed shifting and brake

Applicable motors

Cartridge axial piston hydraulic motors

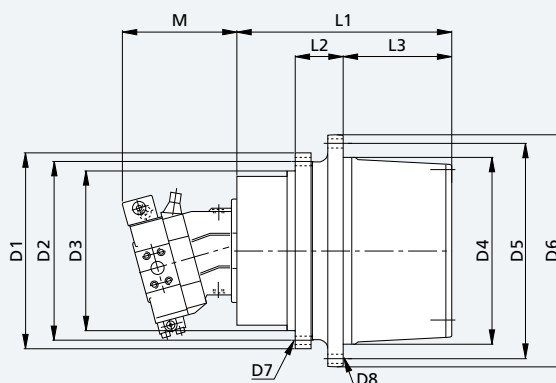
Brake

Hydraulically released multidisc type

Parking braking

Emergency braking

Type	Max. input speed rpm	Max. output speed rpm	Dynamic & emergency braking torque Nm	Braking torque Nm	Brake and clutch release pressure bar	Weight Kg	Oil quantity L
606W2/3	3500	140	20000	400	20 ÷ 40	180	2.5
610W2/3	3000	120	30000	550	20 ÷ 40	200	3
611W2/3	3000	100	55000	600	20 ÷ 40	270	5



Type	D1	D2	D3	D4	D5	D6	D7	D8	L1	L2	L3
606W2/3	430	360	300	290	335	370	M16x2 n°16	M22x1.5 n°10	305	188	135
610W2/3	375	340	300	350	400	435	M20x2.5 n°16	M20x2.5 n°16	388	91	203
611W2/3	570	525	465	410	455	488	ø22 n°12	M22x1.5 n°20	366	113	219