



Bonfiglioli

Riduttori

BSR series

Synchronous Reluctance Motors

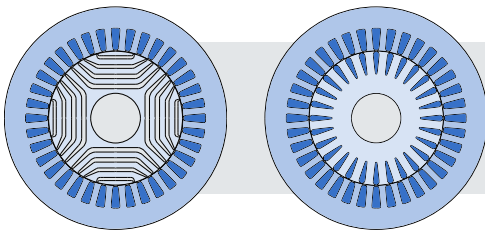


PRODUCT

BSR series

Synchronous Reluctance Technology

The Synchronous Reluctance Motor is an electric motor that combines a conventional three phase induction motor stator with an innovative rotor. The peculiarity of this rotor is the magnetic anisotropy obtained by means of suitably shaped holes. Thanks to the anisotropy, it is possible to exploit the reluctance principle for the electromagnetic energy conversion without using permanent magnets or rotor windings. The rotor design, thanks to the holes in the lamination, yields a lower inertia and better dynamics with respect to a same-size induction motor.



On the left, a section of Bonfiglioli Reluctance motor to compare with the Induction one on the right: it is possible to see the specific geometry.

The lack of rotor Joule losses allows an increase of motor ratings with respect to an induction motor in terms of both efficiency and power density. Taking the advantage of this essential feature, Bonfiglioli is able to offer two distinctive versions in their BSR Synchronous Reluctance motor series. The High Efficiency (E) version is characterized by a Super Premium IE4 Efficiency Class level at the rated operating point, but also especially in the partial load range. The High Output (O) version allows to reduce the motor size with respect to a same-size induction motor, maintaining an efficiency level equal or higher than the IE2 Efficiency Class. When compared to high efficiency induction motors, the dynamic is up to two times higher, thanks to the significantly lower rotor inertia. When comparing the Synchronous Reluctance motor technology and the Induction Motor technology, the main advantages, for variable speed converter fed applications, according to the two packages proposed by Bonfiglioli are:

- **High Efficiency Package:** better efficiency class, up to IE4, for same power and frame size of IM



BSR 90L E 15 - 1.5 kW IE4 Efficiency Class

Same size
-24% Rotor inertia
+5.4% Efficiency



BE 90LA 4 - 1.5 kW IE2 Efficiency Class

- **High Output Package:** smaller frame for same output power and efficiency class of IM



BSR 80C O 15 - 1.5 kW IE2 Efficiency Class

1 Size less
-35% Rotor inertia
Same efficiency



BE 90LA 4 - 1.5 kW IE2 Efficiency Class

This is why when efficiency or having one or two size less are a must, or ensuring the same output power is something relevant for your application, Bonfiglioli Synchronous Reluctance Motor is the best choice.

Designation

BSR	80B	E	15	40	55	F	B5	...																		
								<p>Options</p> <table border="1"> <tr> <td>K1</td> <td>Thermal protective devices</td> <td>Silicon sensor KTY 84-130 Thermistor PTC 150 Platinum sensor PT1000</td> </tr> <tr> <td>U1</td> <td>Forced ventilation</td> <td>Power supply 1~230V (71-100), 3~400V Y (112-132)</td> </tr> <tr> <td>H1</td> <td>Anti-condensate heaters</td> <td>Power supply 1~230V</td> </tr> <tr> <td>PS</td> <td>Double-extended shaft</td> <td>Not compatible with TC or U1 option</td> </tr> <tr> <td>TC</td> <td>External mechanical protection</td> <td>Not compatible with PS option</td> </tr> <tr> <td>RV</td> <td>Rotor balancing grade B</td> <td>-</td> </tr> </table> <p>Motor mounting B3 = IM B3, IM B6, IM B7, IM B8, IM V5, IM V6 B5 = IM B5, IM V1, IM V3 B14 = IM B14, IM V18, IM V19</p> <p>Insulation class F = Class F⁽²⁾ H = Class H</p> <p>Degree of protection 55 = IP 55⁽²⁾ 56 = IP 56</p> <p>Nominal line voltage 40 = 400V (Y connection)</p> <p>Nominal speed 15 = 1500 min⁻¹ 30 = 3000 min⁻¹</p> <p>Motor rating E = High Efficiency⁽¹⁾ O = High Output</p> <p>Motor size 71C ... 132MB (IEC Motor)</p> <p>Motor type BSR = IEC 3-Phase Synchronous Reluctance Motor</p>	K1	Thermal protective devices	Silicon sensor KTY 84-130 Thermistor PTC 150 Platinum sensor PT1000	U1	Forced ventilation	Power supply 1~230V (71-100), 3~400V Y (112-132)	H1	Anti-condensate heaters	Power supply 1~230V	PS	Double-extended shaft	Not compatible with TC or U1 option	TC	External mechanical protection	Not compatible with PS option	RV	Rotor balancing grade B	-
K1	Thermal protective devices	Silicon sensor KTY 84-130 Thermistor PTC 150 Platinum sensor PT1000																								
U1	Forced ventilation	Power supply 1~230V (71-100), 3~400V Y (112-132)																								
H1	Anti-condensate heaters	Power supply 1~230V																								
PS	Double-extended shaft	Not compatible with TC or U1 option																								
TC	External mechanical protection	Not compatible with PS option																								
RV	Rotor balancing grade B	-																								

Notes

- (1) Not available with nominal speed 3000 min⁻¹
(2) Default value

Performance

Operation with ACU410 converter - rated voltage 400V - 1.5xM_n overload at nominal speed (M_o) - 3xM_n Peak overload (M_p)

4-pole

50 Hz

1500rpm

Y Connection

P_n Size - Rating - Speed $\eta_{4/4}$ M_n I_n I_{ol} I_p n_{max} J_m m_{IM BS} Suggested ACU410 converter for no overload application

High Efficiency (E) - S1 duty cycle

kW		%	Nm	A	A	A	min ⁻¹	kgm ² x10 ⁻⁴	kg			
0.37	BSR 71C E 15	81.1	2.4	1.2	1.6	3.1	2250	10	7.1	ACU	410	03
0.55	BSR 80B E 15	83.9	3.5	1.5	2.1	4.0	2250	17	9.5	ACU	410	03
0.75	BSR 80C E 15	85.7	4.8	2.2	3.0	5.5	2250	22	11.7	ACU	410	07
1.1	BSR 90S E 15	87.2	7.0	3.1	4.0	7.6	2250	22	13.1	ACU	410	09
1.5	BSR 90L E 15	88.2	9.5	4.1	5.2	10.2	2250	26	14.5	ACU	410	12
2.2	BSR 100LA E 15	89.5	14.0	5.6	8.4	14.3	2250	45	22	ACU	410	13
3	BSR 100LB E 15	90.4	19.1	7.6	10.6	19.8	2250	50	24	ACU	410	15
4	BSR 112M E 15	91.1	25	9.7	13.5	24.7	2250	82	31	ACU	410	19
5.5	BSR 132S E 15	91.9	35	13.5	18.8	36	2250	220	51	ACU	410	19
7.5	BSR 132MA E 15	92.6	48	17.8	25.5	52	2250	255	57	ACU	410	21
9.2	BSR 132MB E 15	92.9	59	21.6	32	64	2250	280	67	ACU	410	22

High Output (O) - S1 duty cycle

kW		%	Nm	A	A	A	min ⁻¹	kgm ² x10 ⁻⁴	kg			
0.55	BSR 71C O 15	77.1	3.5	1.7	2.3	4.5	2250	10	7.1	ACU	410	05
0.75	BSR 80A O 15	79.6	4.8	2.2	3.2	5.9	2250	13	8.0	ACU	410	07
1.1	BSR 80B O 15	81.4	7.0	3.0	4.1	8.5	2250	17	9.5	ACU	410	09
1.5	BSR 80C O 15	82.8	9.5	4.0	6.1	11.3	2250	22	12.2	ACU	410	12
2.2	BSR 90S O 15	84.3	14.0	5.5	7.4	16.8	2250	22	13.1	ACU	410	13
3	BSR 90L O 15	85.5	19.1	7.5	11.4	24.0	2250	26	14.5	ACU	410	15
4	BSR 100LB O 15	88.6	25	10.4	14.9	30	2250	50	24	ACU	410	19
5.5	BSR 112M O 15	89.6	35	13.5	19.5	42	2250	82	31	ACU	410	19
7.5	BSR 132S O 15	90.4	48	18.4	25.3	52	2250	220	51	ACU	410	23
9.2	BSR 132MA O 15	91.0	59	22.0	33	66	2250	255	57	ACU	410	23
11	BSR 132MB O 15	91.4	70	24.7	32	77	2250	280	67	ACU	410	23

Operation with ACU410 converter - rated voltage 400V - 1.5xM_n overload at nominal speed (M_o) - 3xM_n Peak overload (M_p)

4-pole

100 Hz

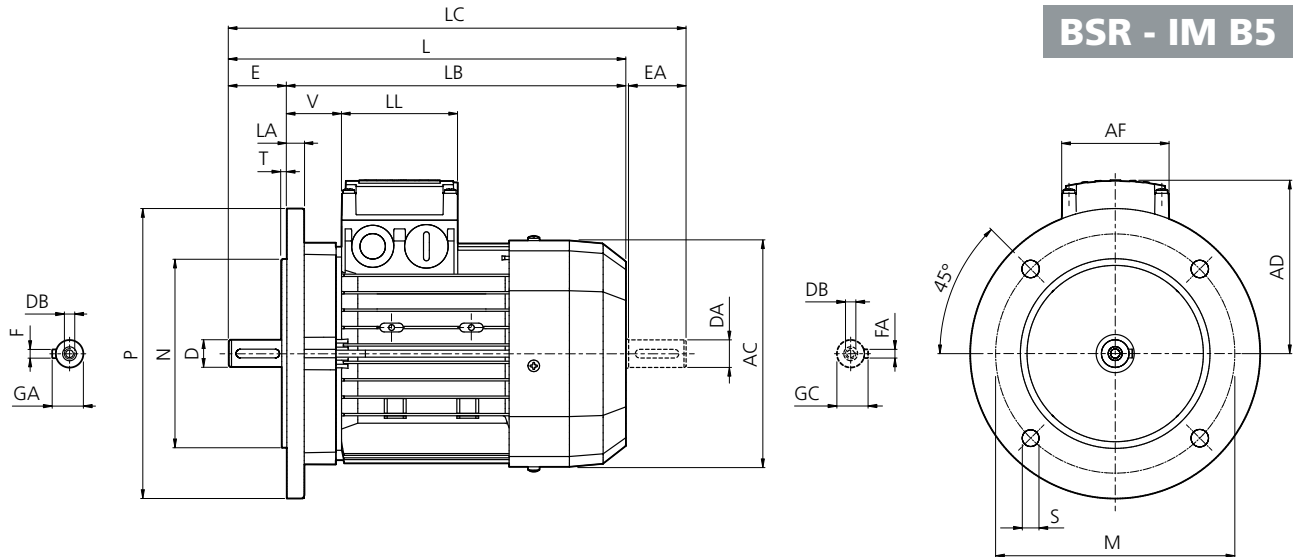
3000rpm

Y Connection

High Output (O) - S1 duty cycle

kW		%	Nm	A	A	A	min ⁻¹	kgm ² x10 ⁻⁴	kg			
1.1	BSR 71C O 30	82.7	3.5	3.2	4.8	8.7	4500	10	7.1	ACU	410	09
1.5	BSR 80A O 30	84.2	4.8	3.9	5.5	11.2	4500	13	8.0	ACU	410	12
2.2	BSR 80B O 30	85.9	7.0	5.6	7.8	16.0	4500	17	9.5	ACU	410	13
3	BSR 80C O 30	87.1	9.5	7.7	11.6	21.5	4500	22	12.2	ACU	410	15
4	BSR 90S O 30	88.1	12.7	9.8	14.0	30	4500	22	13.1	ACU	410	19
5.5	BSR 90L O 30	89.2	17.5	13.5	19.5	43	4500	26	14.5	ACU	410	19
7.5	BSR 100LB O 30	90.1	24	19.3	27.8	56	4500	50	24	ACU	410	23
11	BSR 112M O 30	91.2	35	24.5	36	77	4500	82	31	ACU	410	23
15	BSR 132S O 30	91.9	48	36	53	107	4500	220	51	ACU	410	27
18.5	BSR 132MA O 30	92.4	59	43	62	126	4500	255	57	ACU	410	150

Dimensions



Flange B5

	M	N	P	S	T	LA
BSR 71	130	110	160	9.5	3.5	10
BSR 80	165	130	200	11.5		11.5
BSR 90						
BSR 100	215	180	250	14	4	14
BSR 112						15
BSR 132	265	230	300			20

Motor

	AC	L	LB	LC	AD	AF	LL	V
BSR 71	138	249	219	281	108	74	80	37
BSR 80	156	274	234	315	119			38
BSR 90	176	326	276	378	133			44
BSR 100	195	367	307	429	142	98	98	50
BSR 112	219	385	325	448	157			52
BSR 132	258	493	413	576	193	118	118	58

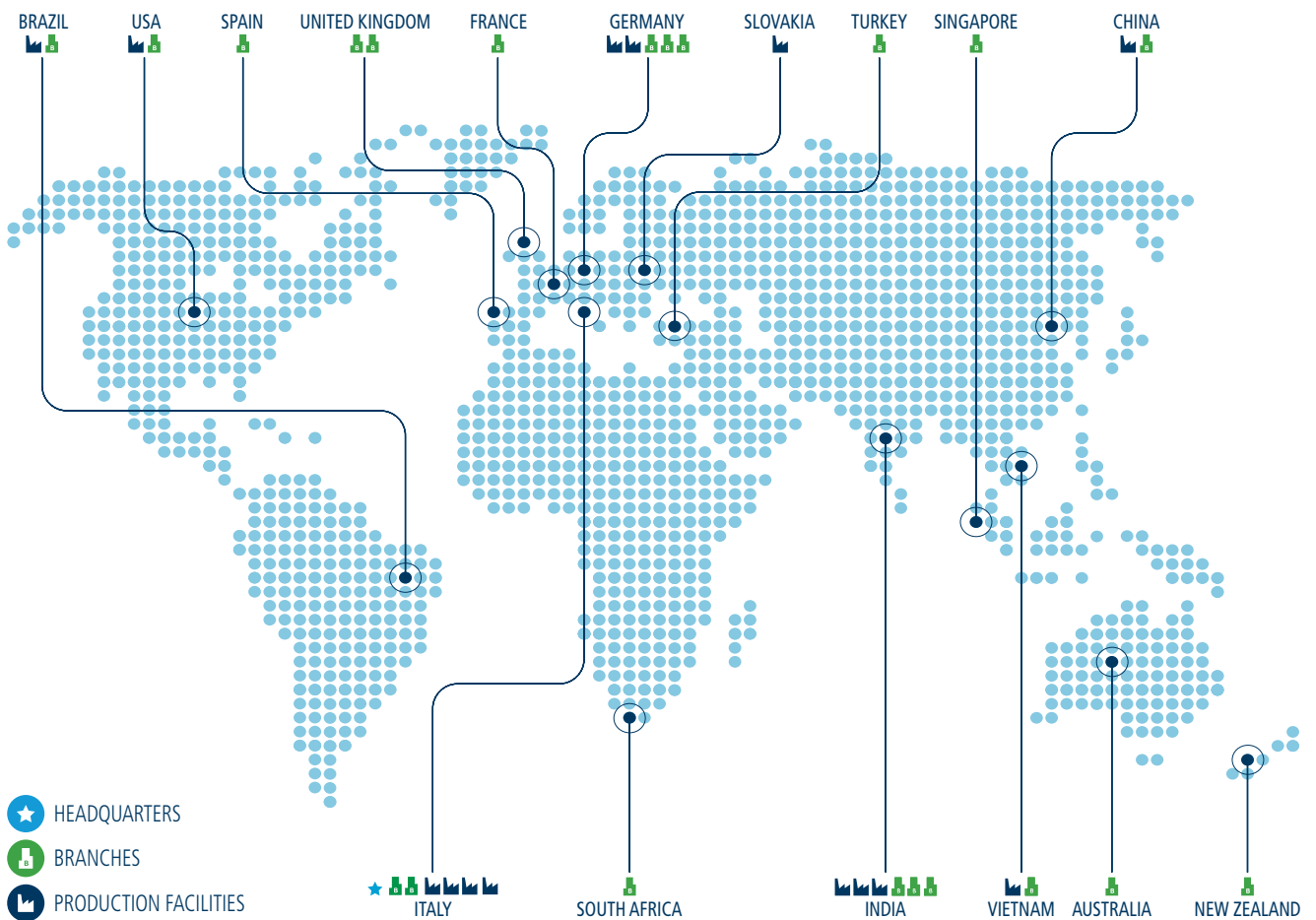
Shaft

	D DA	E EA	DB	GA GC	F FA
BSR 71	14	30	M5	16	5
BSR 80	19	40	M6	21.5	6
BSR 90	24	50	M8	27	8
BSR 100	28	60	M10	31	
BSR 112					
BSR 132	38	80	M12	41	10

Bonfiglioli worldwide presence

Bonfiglioli is located in regions and countries around the world that enable us to provide faster sales and service to customers.

We are around the world, and around the corner.



LOCAL SUPPORT
Sales, Customer Service,
Warranty, Tech support,
Spare parts



**21 BRANCH OFFICES
IN 15 COUNTRIES**



**WORLDWIDE
DISTRIBUTION
NETWORK**

Bonfiglioli worldwide locations

Australia

www.bonfiglioli.com.au
2, Cox Place Glendenning NSW 2761
Locked Bag 1000 Plumpton NSW 2761
Tel. + 61 2 8811 8000

Brazil

www.bonfigliolidobrasil.com.br
Travessa Cláudio Armando 171
Bloco 3 - CEP 09861-730 - Bairro Assunção
São Bernardo do Campo - São Paulo
Tel. +55 11 4344 2322

China

www.bonfiglioli.cn
Bonfiglioli Drives (Shanghai) Co., Ltd.
#68, Hui-Lian Road, QingPu District,
201707 Shanghai
Tel. +86 21 6700 2000

France

www.bonfiglioli.fr
14 Rue Eugène Pottier
Zone Industrielle de Moimont II - 95670 Marly la Ville
Tel. +33 1 34474510

Germany

www.bonfiglioli.de
Sperberweg 12 - 41468 Neuss
Tel. +49 0 2131 2988 0

Industrial

Europark Fichtenhain B6 - 47807 Krefeld
Tel. +49 0 2151 8396 0

O&K Antriebstechnik

Ruhrallee 8-12 - 45525 Hattingen
Tel. +49 0 2324 2050 1

India

www.bonfiglioli.in
Mobile, Wind
Bonfiglioli Transmissions Pvt. Ltd.
Plot No. AC7-AC11, SIDCO Industrial Estate,
Thirumudivakkam - 600 044 Chennai
Tel. +91 44 2478 1035

Industrial

Survey No. 528, Porambakkam High Road,
Mannur Village, Sriperambudur Taluk - 602 105 Chennai
Tel. +91 44 6710 3800
Plot No. A-95, Phase IV, MIDC Chakan, Village Nighoje
Pune, Maharashtra - 410 501

Italy

www.bonfiglioli.it
Headquarters
Bonfiglioli Riduttori S.p.A.
Via Giovanni XXIII, 7/A
Lippo di Calderara di Reno - 40012 Bologna
Tel. +39 051 647 3111

Mobile, Wind

Via Enrico Mattei, 12 Z.I. Villa Selva - 47100 Forlì
Tel. +39 0543 789111

Industrial

Via Bazzane, 33/A - 40012 Calderara di Reno
Tel. +39 051 6473111
Via Trinità, 1 - 41058 Vignola
Tel. +39 059 768511
Via Sandro Pertini lotto 7b - 20080 Carpiano
Tel. +39 02 985081

Bonfiglioli Mechatronic Research

Via F. Zeni 8 - 38068 Rovereto
Tel. +39 0464 443435/36

New Zealand

www.bonfiglioli.co.nz
88 Hastie Avenue, Mangere Bridge, 2022 Auckland
PO Box 11795, Ellerslie
Tel. +64 09 634 6441

Singapore

www.bonfiglioli.com
24 Pioneer Crescent #02-08
West Park Bizcentral - Singapore, 628557
Tel. +65 6268 9869

Slovakia

www.bonfiglioli.com
Robotnícka 2129
Považská Bystrica, 01701 Slovakia
Tel. +421 42 430 75 64

South Africa

www.bonfiglioli.co.za
55 Galaxy Avenue, Linbro Business Park - Sandton
Tel. +27 11 608 2030

Spain

www.tecnotrans.bonfiglioli.com
Tecnotrans Bonfiglioli S.A.
Pol. Ind. Zona Franca, Sector C, Calle F, nº 6
08040 Barcelona
Tel. +34 93 447 84 00

Turkey

www.bonfiglioli.com.tr
Atatürk Organize Sanayi Bölgesi, 10007 Sk. No. 30
Atatürk Organize Sanayi Bölgesi, 35620 Çiğli - İzmir
Tel. +90 0 232 328 22 77

United Kingdom

www.bonfiglioli.co.uk

Industrial

Unit 7, Colemeadow Road
North Moons Moat - Redditch, Worcestershire B98 9PB
Tel. +44 1527 65022

Mobile, Wind

3 - 7 Grosvenor Grange, Woolston
Warrington - Cheshire WA1 4SF
Tel. +44 1925 852667

USA

www.bonfiglioliusa.com
3541 Hargrave Drive
Hebron, Kentucky 41048
Tel. +1 859 334 3333

Vietnam

www.bonfiglioli.vn
Lot C-9D-CN My Phuoc Industrial Park 3
Ben Cat - Binh Duong Province
Tel. +84 650 3577411



We have a relentless commitment to excellence, innovation and sustainability. Our team creates, distributes and services world-class power transmission and drive solutions to keep the world in motion.



HEADQUARTERS

Bonfiglioli Riduttori S.p.A.
Via Giovanni XXIII, 7/A
40012 Lippo di Calderara di Reno
Bologna (Italy)
tel: +39 051 647 3111
fax: +39 051 647 3126
bonfiglioli@bonfiglioli.com
www.bonfiglioli.com